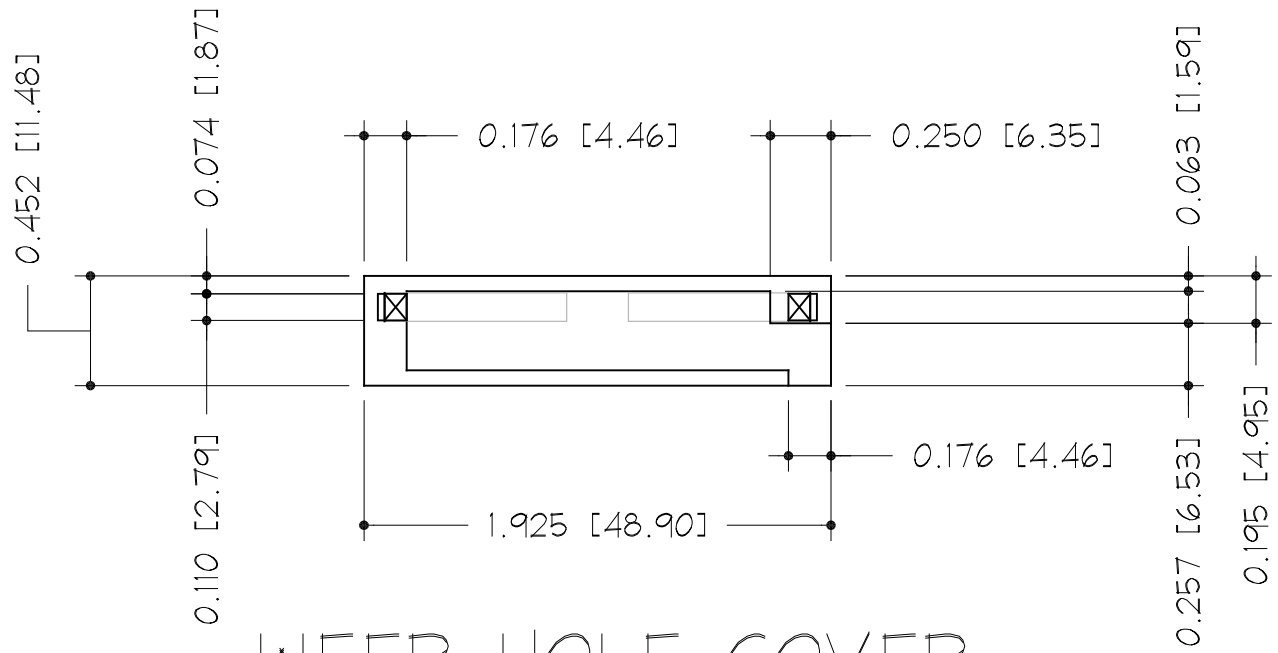


WINDOW CUTOUT



WEEP HOLE COVER

SCALE: N/A	PROJECT: WINNEBAGO JOURNEY	TITLE: WEEP COVER	REVISION
DRAWN: JIM X	LOC: NAMPA, ID	DRG: WEEPCVR1	0
DATE: 4/3/16	JOB NO: 34H	Journey 1.dwg	